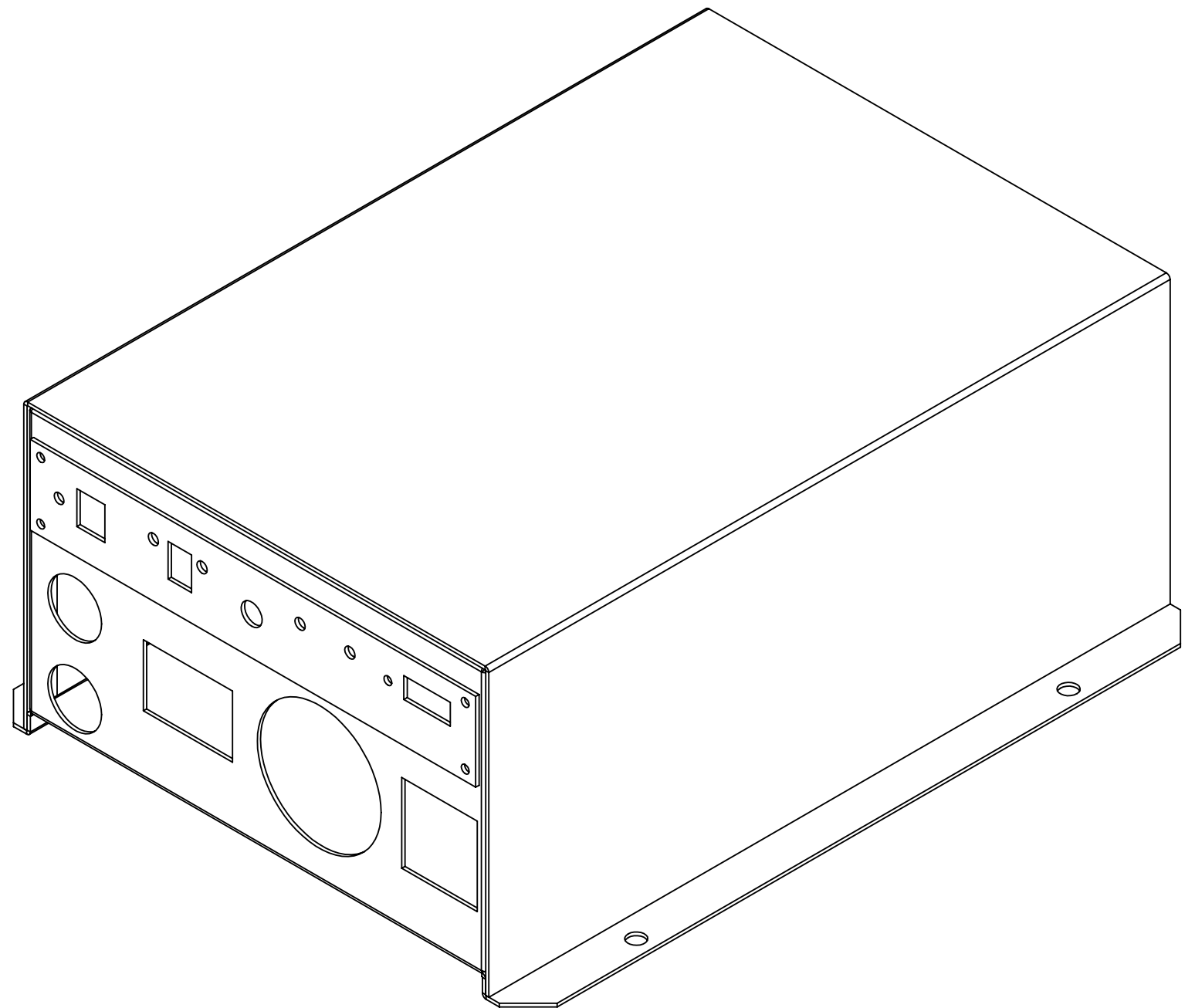
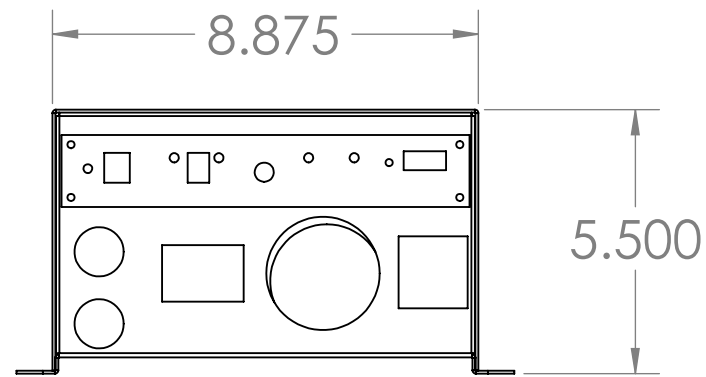
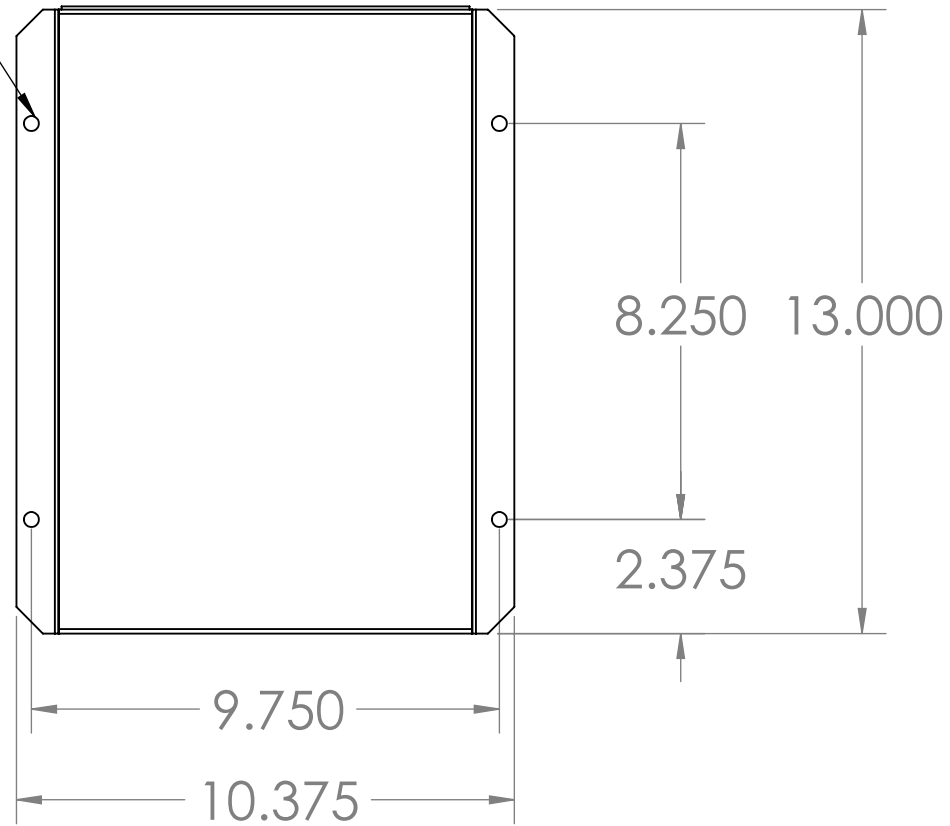



5/16 MTG HOLES
4 PLACES



PROPRIETARY AND CONFIDENTIAL
THE INFORMATION CONTAINED IN THIS
DRAWING IS THE SOLE PROPERTY OF
Manzanita Micro. ANY
REPRODUCTION IN PART OR AS A WHOLE
WITHOUT THE WRITTEN PERMISSION OF
Manzanita Micro IS
PROHIBITED.

		UNLESS OTHERWISE SPECIFIED:		NAME	DATE	 TITLE: BATTERY CHARGER - PFC 20 SERIES GENERAL ARRANGEMENT, AIR COOLED
		DIMENSIONS ARE IN INCHES TOLERANCES: FRACTIONAL ± ANGULAR: MACH ± BEND ± TWO PLACE DECIMAL ± THREE PLACE DECIMAL ±		DRAWN		
		INTERPRET GEOMETRIC TOLERANCING PER:		CHECKED		
		MATERIAL		ENG APPR.		
		FINISH		MFG APPR.		
NEXT ASSY	USED ON			Q.A.		SIZE DWG. NO. REV
APPLICATION		DO NOT SCALE DRAWING		COMMENTS:		BPFC20_30_40_M
						SCALE: 1:4 WEIGHT: SHEET 1 OF 1