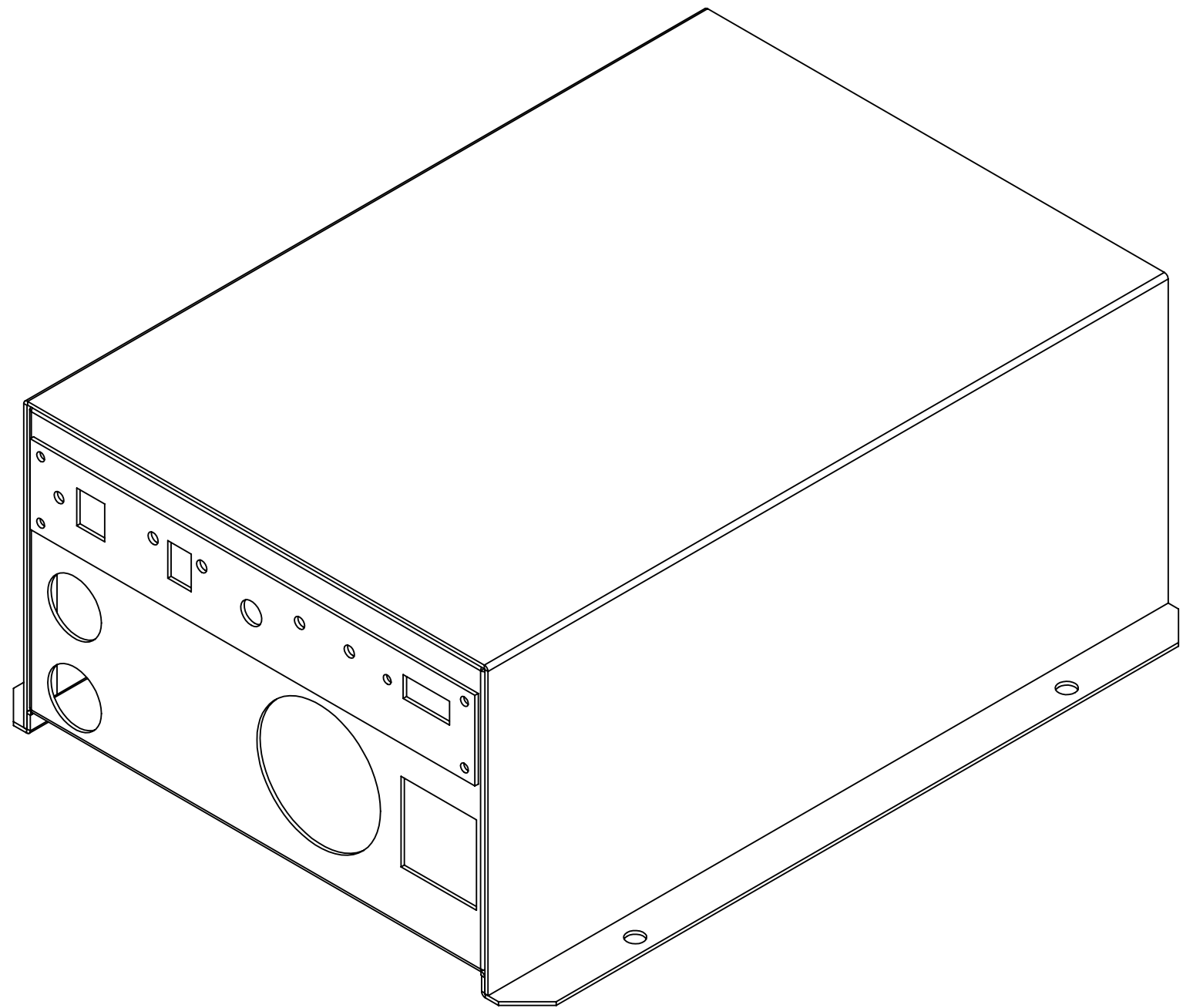
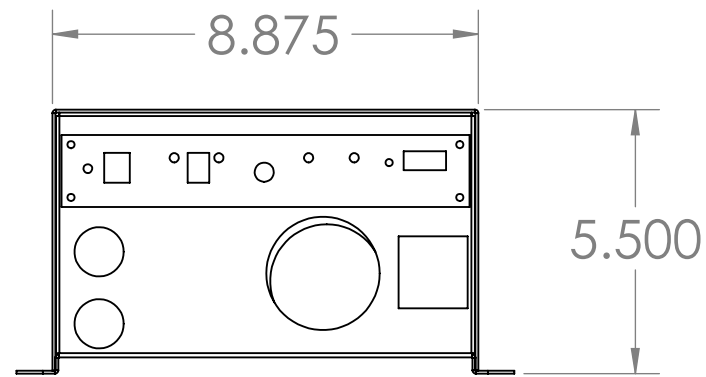
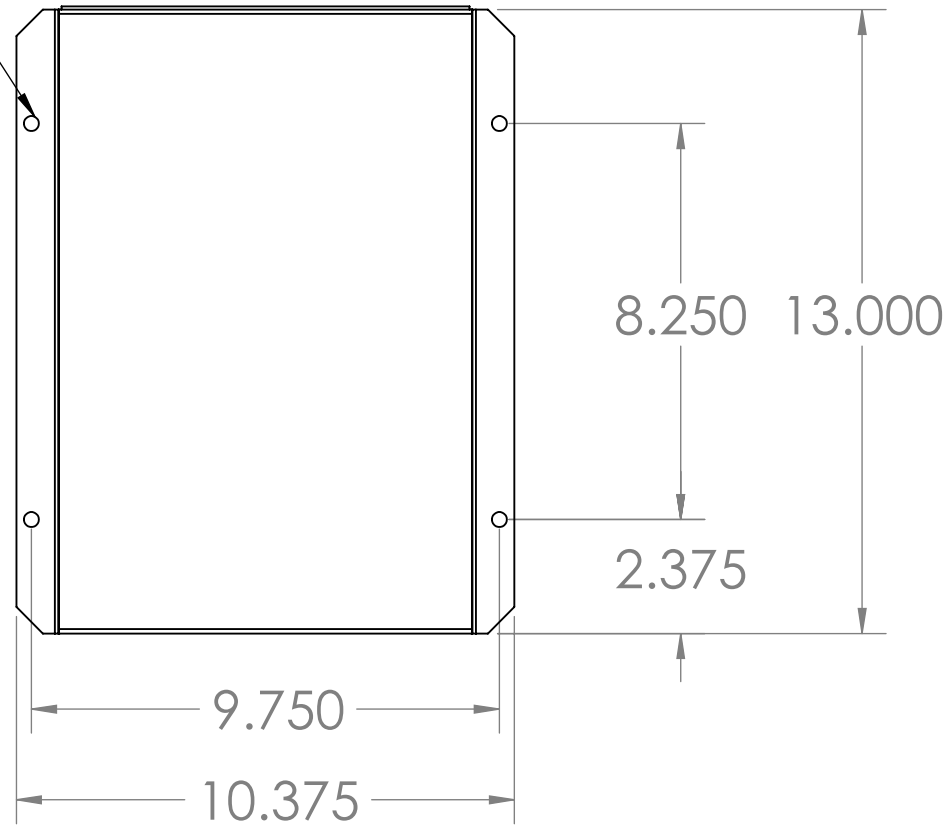



5/16 MTG HOLES  
4 PLACES



PROPRIETARY AND CONFIDENTIAL  
THE INFORMATION CONTAINED IN THIS  
DRAWING IS THE SOLE PROPERTY OF  
Manzanita Micro. ANY  
REPRODUCTION IN PART OR AS A WHOLE  
WITHOUT THE WRITTEN PERMISSION OF  
Manzanita Micro IS  
PROHIBITED.

		UNLESS OTHERWISE SPECIFIED:		NAME	DATE	
		DIMENSIONS ARE IN INCHES TOLERANCES: FRACTIONAL ± ANGULAR: MACH ± BEND ± TWO PLACE DECIMAL ± THREE PLACE DECIMAL ±		DRAWN		
		INTERPRET GEOMETRIC TOLERANCING PER:		CHECKED		SIZE DWG. NO. REV <b>B PFC20_30_40</b>
		MATERIAL		ENG APPR.		
NEXT ASSY	USED ON	FINISH		MFG APPR.		
APPLICATION		DO NOT SCALE DRAWING		Q.A.		
				COMMENTS:		